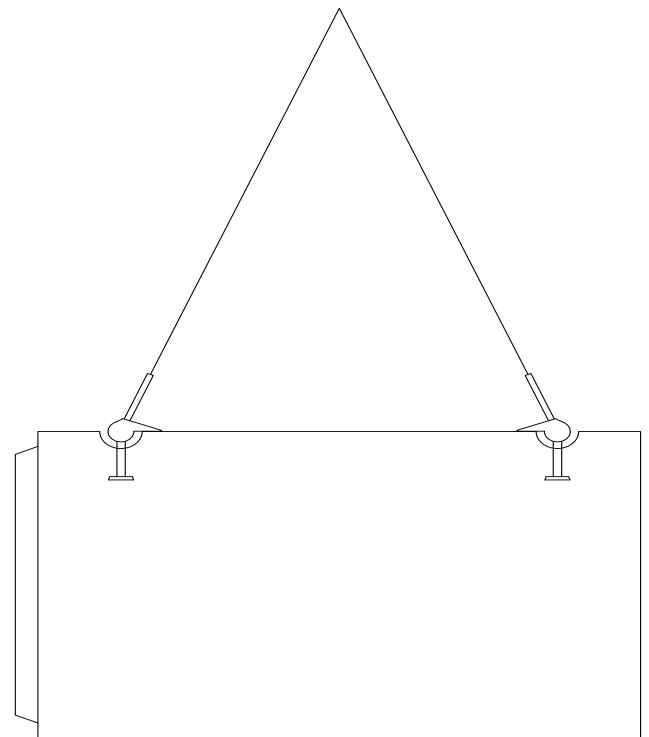
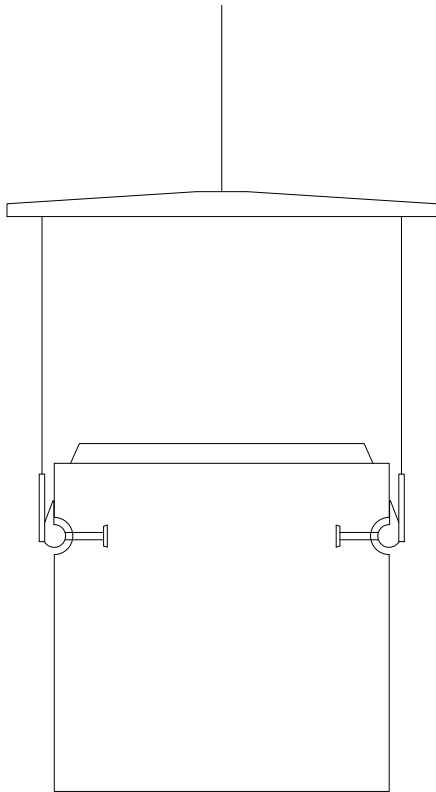
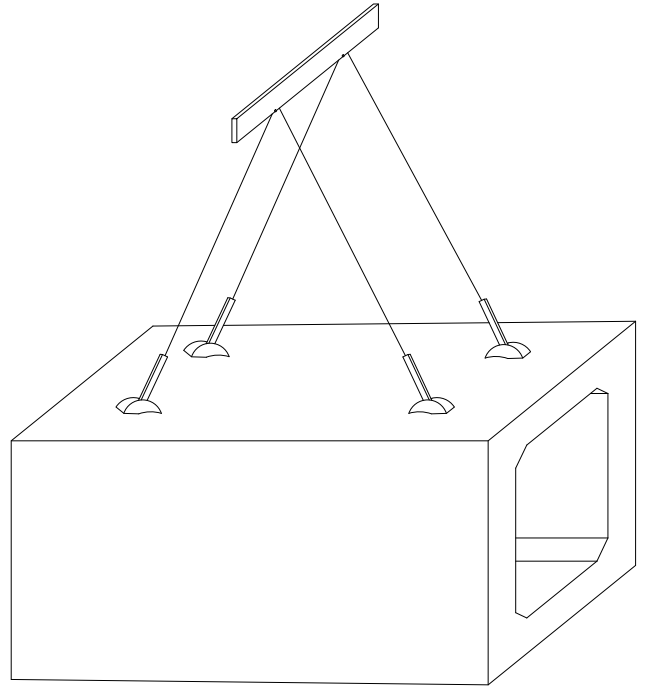

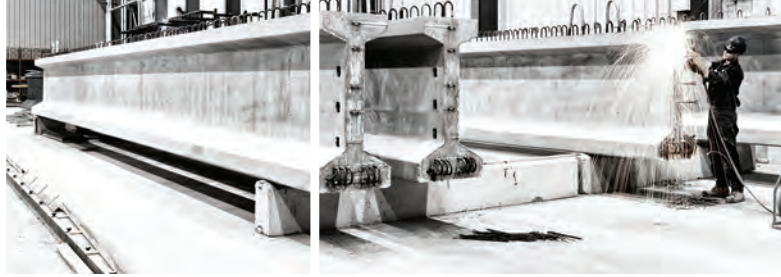


# DECAST Lifting Guidelines

Guide for efficient and safe transportation, rigging and lifting of precast concrete products



 <p>Leading Infrastructure Solutions</p>	COMPANY: DECAST LTD.		
	PRODUCT: DECAST LIFTING GUIDELINES		
	WEBSITE: DECASTLTD.COM		
DECAST LTD VERSION NO.: DLG.V.2.0	PAGE: 1 OF 8	CREATED: 2016.03.14	REVISED: 2026.05.05



# CONTACT

## SALES

- Rob Micieli** 416.605.7374  
Vice President, Sales
- Mauro DeFranco, P.Eng.** 647.500.3789  
Technical Sales Engineer
- Frank Mazza, C.E.T.** 416.520.2779  
Sales
- John Pozzobon, C.E.T.** 905.302.1062  
Sales
- Martin Fischer** 705.796.8868  
Sales
- Jorge Silveira, A.Sc.T.** 416.453.6837  
Sales
- Nicholas Halcovitch** 437.328.2489  
Sales
- John Gannon** 705.734.2982  
Manager, Shipping Utopia ext 2734
- Jenny Ogden** 705.734.2892  
Manager, Shipping Stouffville ext 2240

## SALES

[sales@decastltd.com](mailto:sales@decastltd.com)

## ENGINEERING

[engineering@decastltd.com](mailto:engineering@decastltd.com)

## INFO & INQUIRIES

[info@decastltd.com](mailto:info@decastltd.com)

## DECAST Ltd.

8807 County Road 56  
Utopia, ON L0M 1T0  
1.800.461.5632  
705.734.2892



Engineering Fax: 705.734.2270  
Shipping Fax: 705.734.9373

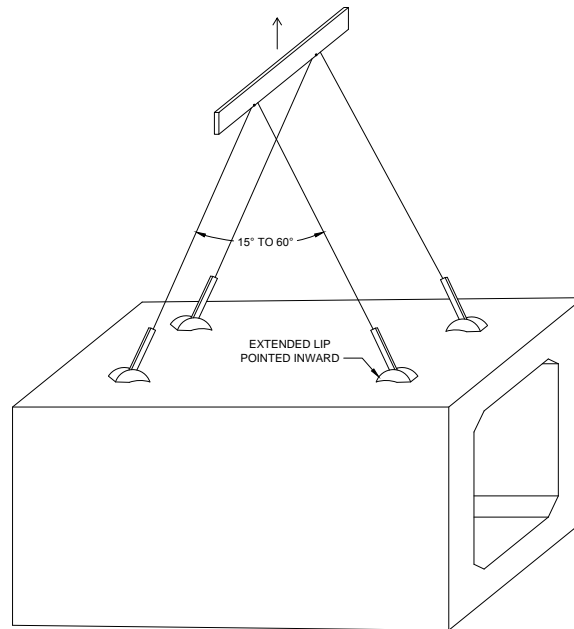


## WEB

[www.decastltd.com](http://www.decastltd.com)

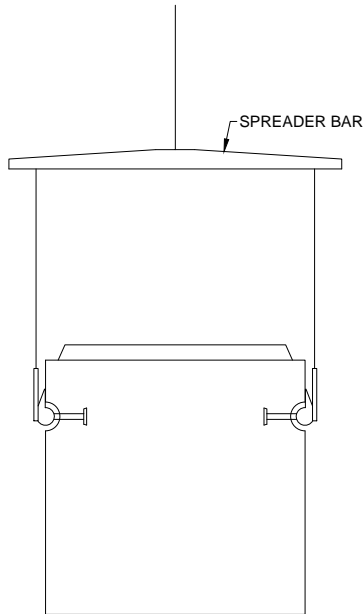
The DECAST Ltd. manufacturing facility and head office is located in Essa Township just over an hour's drive north of Toronto, and a 10 minute drive west of Barrie.

## Box Culverts



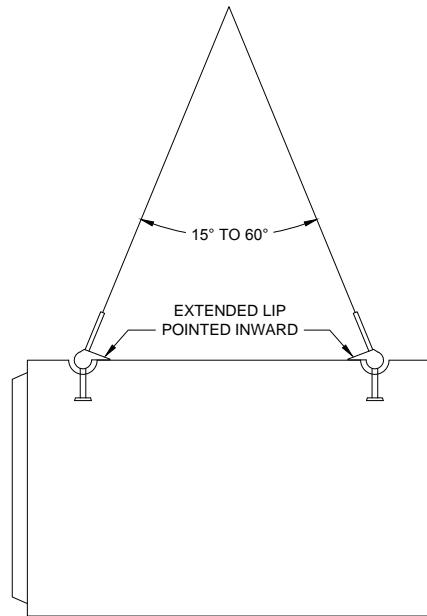
Size (mm)	Approx. Mass (kg)	# of Anchors	Anchor Type (Tonne)
1800 x 900	8,247	4	4
1800 x 1200	9,004	4	4
2400 x 1200	11,126	4	4
2400 x 1500	11,883	4	4
2400 x 1800	12,615	4	4
3000 x 1500	16,738	4	8
3000 x 1800	17,690	4	8
3000 x 2100	18,617	4	8
3000 x 2400	19,569	4	8
3600 x 2400	25,325	4	8
3600 x 3000	27,525	4	8
3600 x 3600	29,750	4	8
3600 x 4200	31,950	4	8
4200 x 2400	27,525	4	8
4200 x 3000	29,750	4	8
4200 x 3600	31,950	4	20
4200 x 4200	34,150	4	20
4800 x 2400	35,350	4	20
4800 x 3000	37,900	4	20
4800 x 3600	40,475	4	20
4800 x 4200	43,050	4	20
5400 x 2400	37,900	4	20
5400 x 3000	40,475	4	20
5400 x 3600	43,050	4	20
5400 x 4200	45,625	4	20

## Circular Maintenance Holes



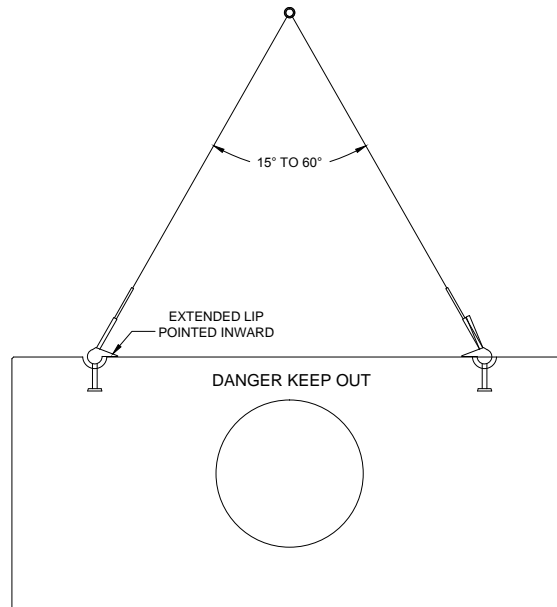
Size (mm) / Component	Approx. Mass (kg)	# of Anchors	Anchor Type (Tonne)
1200 Flat Cap	720	2	4
1500 Flat Cap	1,376-1,818	3	4
1800 Flat Cap	2,100-2,720	3	4
2400 Flat Cap	3,775-4,898	4	4
3000 Flat Cap	8,142	4	8
3600 Flat Cap	10,500	4	8
1200 Tapered Top	1,975	2	4
1500 Transition Section	1,560	3	4
1800 Transition Section	2,400	3	4
2400 Transition Section	4,185	4	4
3000 Transition Section	7,258	4	8
3600 Transition Section	10,500	4	8
1200 Riser (0.305-1.219)	409-1,633	2	4
1500 Riser (0.305-2.438)	591-4,729	2	4
1800 Riser (0.305-2.438)	822-6,570	2	4
2400 Riser (0.610-2.438)	2,812-11,239	4	4
3000 Riser (0.610-2.438)	4,296-17,171	4	8
3600 Riser (0.610-1.829)	6,736-20,196	4	8
1200 Mono Base (0.762-1.524)	1,475-2,502	2	4
1500 Mono Base (1.422-2.184)	3,823-5,323	4	4
1200 Base Slab	773	2	4
1500 Base Slab	1,773	2	4
1800 Base Slab	2,360	3	4
2400 Base Slab	4,548	4	4
3000 Base Slab	8,255	4	8
3600 Base Slab	10,500	4	8

## Reinforced Concrete Pipe



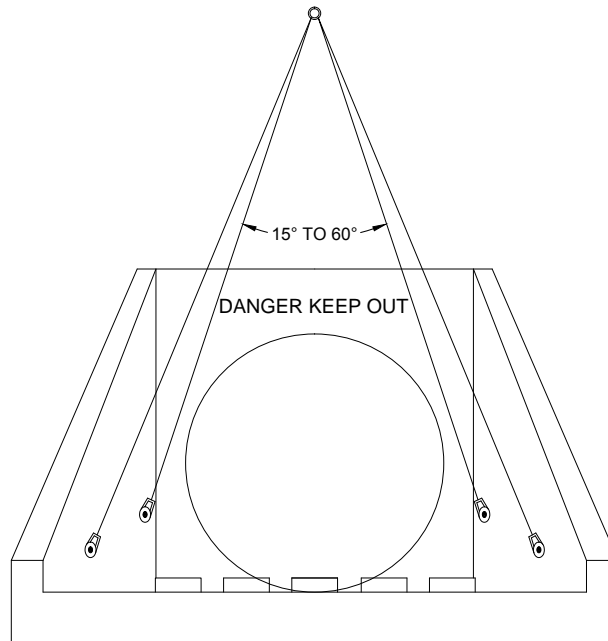
Size (mm)	Approx. Mass (kg)	# of Anchors	Anchor Type (Tonne)
975	2,893	2	4
1050	3,173	2	4
1200	3,461	2	4
1350	4,229	2	4
1500	5,180	2	4
1650	6,101	2	4
1800	6,991	2	4
1950	8,110	2	8
2100	9,297	2	8
2250	10,520	2	8
2400	11,880	2	8
2550	12,637	2	8
2700	14,035	2	8
3000	17,185	4	8

## Headwalls (OPSD 804.03)

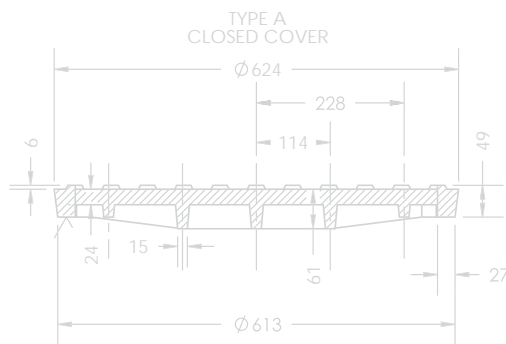
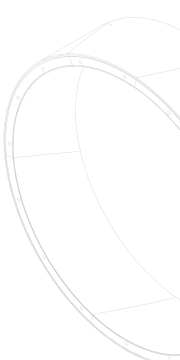
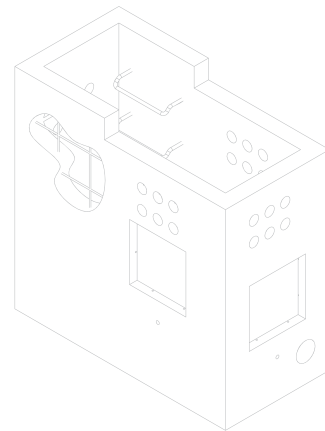
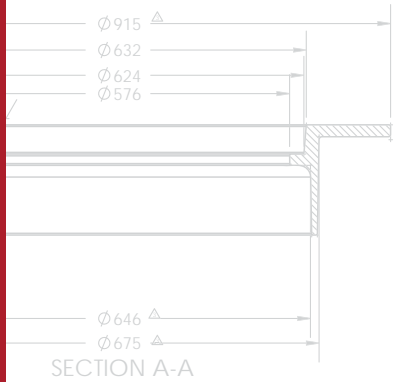
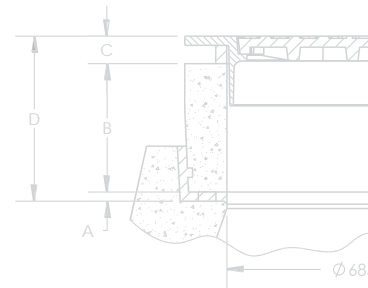
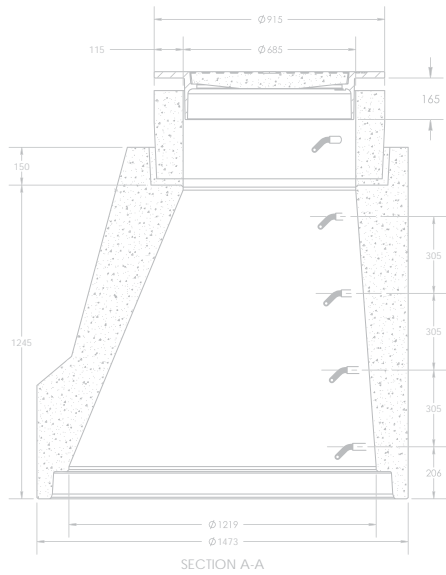
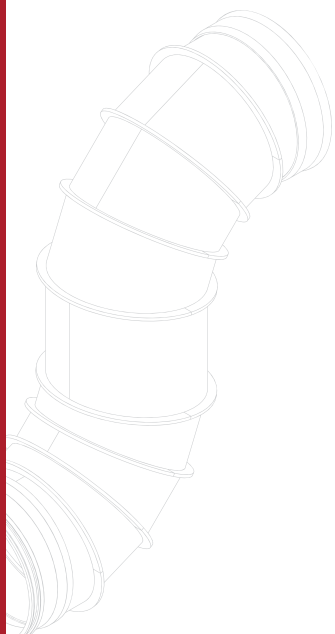
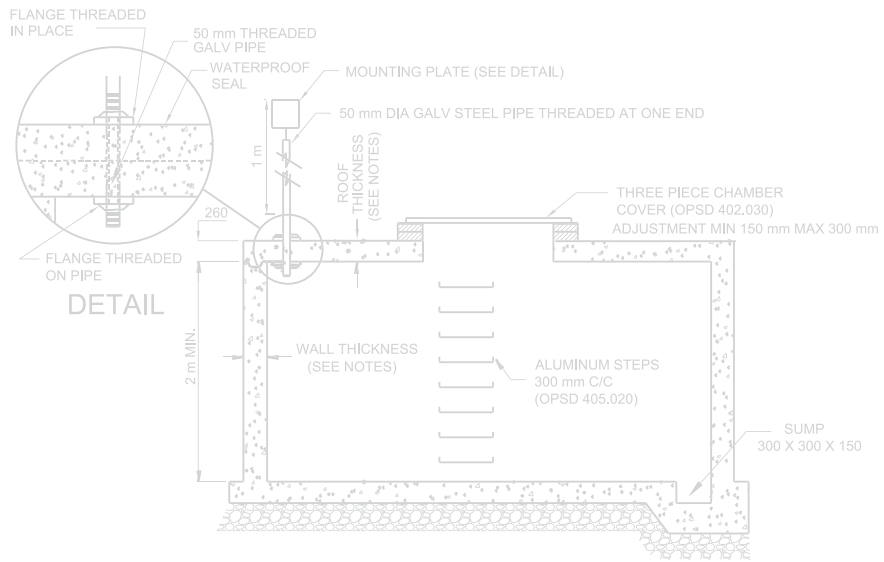


W x H (mm)	Pipe Dia. (mm)	Approx. Mass (kg)	# of Anchors	Anchor Type (Tonne)
2835 x 1675	300	4,300	2	4
3100 x 1675	375	5,282	2	4
3360 x 1675	450	5,670	2	4
3630 x 1940	525	7,439	2	4
3900 x 1940	600	7,922	2	8
4170 x 1940	675	8,393	2	8
4440 x 2120	750	10,061	2	8
4695 x 2120	825	10,527	2	8

## Headwalls (OPSD 804.04 Modified)



W x H (mm)	Pipe Dia. (mm)	Approx. Mass (kg)	# of Anchors	Anchor Type (Tonne)
3866 x 1355	600	10,070	4	8
3866 x 1438	675	10,120	4	8
3866 x 1519	750	10,180	4	8
3866 x 1602	825	10,240	4	8
3866 x 1685	900	10,310	4	8
3866 x 1758	975	10,450	4	8
3866 x 1833	1050	10,550	4	8
3866 x 1985	1200	10,850	4	8
3866 x 2136	1350	11,100	4	8
4316 x 2337	1500	13,200	4	8
4316 x 2475	1650	13,350	4	8
4316 x 2639	1800	13,650	4	8
5066 x 3308	2400	18,150	4	8



**DECAST**

T 705.734.2892  
 TF 800.461.5632  
 F 705.734.2920

8807 County Road 56  
 Utopia, ON L0M 1T0  
 decastltd.com